

## DH-IPC-HDB5200/5202-DI

2Megapixel Full HD Vandal-proof Network In-ceiling Dome Camera



### Features

- 1/2.8" 2Megapixel progressive scan Exmor CMOS
- H.264 & MJPEG dual-stream encoding
- 25/30fps@1080P(1920×1080)
- DWDR, Day/Night(ICR), 3DNR, Auto iris, AWB, AGC, BLC
- Multiple network monitoring: Web viewer, CMS(DSS/PSS) & DMSS
- 2.7~12mm varifocal lens (5200)
- 3~9mm varifocal motorized lens (5202)
- Built-in 1/1 alarm in/out
- Micro SD memory, IP65, IK10, PoE

# DH-IPC-HDB5200/5202-DI

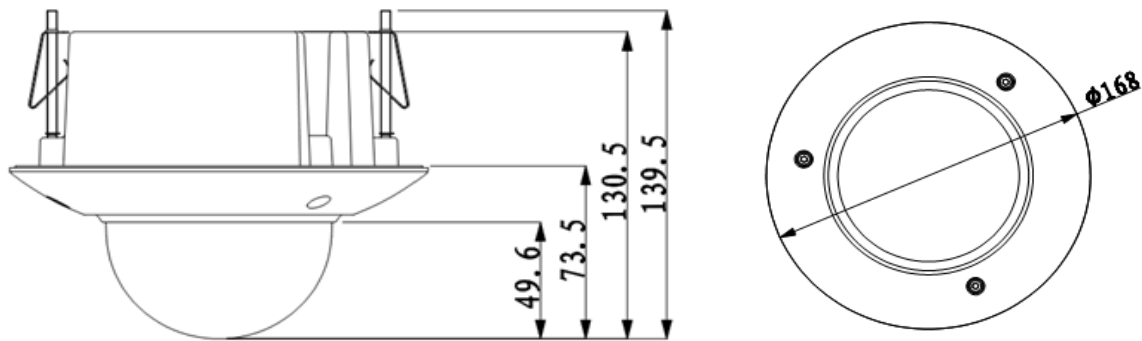
## Technical Specifications

Model	IPC-HDB5200P-DI	IPC-HDB5202P-DI	IPC-HDB5200N-DI	IPC-HDB5202N-DI
<b>Camera</b>				
Image Sensor	1/2.8" 2Megapixel progressive scan Exmor CMOS			
Effective Pixels	1920(H)x1080(V)			
Scanning System	Progressive			
Electronic Shutter Speed	Auto/Manual 1/3~1/10000		Auto/Manual 1/4~1/10000	
Min. Illumination	Color: 0.1Lux/F1.4, B/W: 0.01Lux/F1.4			
S/N Ratio	More than 50dB			
Video Output	1 Port			
<b>Camera Features</b>				
Max. IR LEDs Length	N/A			
Day/Night	Auto(ICR)/Color/B/W			
Backlight Compensation	BLC / HLC / DWDR			
White Balance	Auto			
Gain Control	Auto/Manual			
Noise Reduction	3D			
Privacy Masking	Up to 4 areas			
<b>Lens</b>				
Focal Length	2.7~12mm	3~9mm motorized	2.7~12mm	3~9mm motorized
Max Aperture	F1.4	F1.2	F1.4	F1.2
Focus Control	Manual	Auto	Manual	Auto
Angle of View	H: 105.6°(Wide) ~27.4°(Tele)	H: 105°(Wide) ~ 36°(Tele)	H: 105.6°(Wide) ~27.4°(Tele)	H: 105°(Wide) ~ 36°(Tele)
Lens Type	Manual / Auto Iris (DC)	Motorized / Auto Iris(DC)	Manual / Auto Iris (DC)	Motorized / Auto Iris(DC)
Mount Type	Board-in Type			
<b>Video</b>				
Compression	H.264 / MJPEG			
Resolution	1080P(1920×1080) / 720P(1280×720) / D1(704×576) / CIF(352×288)		1080P(1920×1080) / 720P(1280×720) / D1(704×480) / CIF(352×240)	
Frame Rate	Main Stream	1080P/720P(1 ~ 25/30fps)		
	Sub Stream	D1/CIF(1 ~ 25/30fps)		
Bit Rate	H.264: 32K ~ 8192Kbps			
<b>Audio</b>				
Compression	G.711a / G.711u / PCM			
Interface	1/1 channel In/Out			
<b>Network</b>				
Ethernet	RJ-45 (10/100Base-T)			
Wi-Fi	N/A			

## DH-IPC-HDB5200/5202-DI

Protocol	IPv4/IPv6, HTTP, HTTPS, SSL, TCP/IP, UDP, UPnP, ICMP, IGMP, SNMP, RTSP, RTP, SMTP, NTP, DHCP, DNS, PPPOE, DDNS, FTP, IP Filter, QoS, Bonjour			
ONVIF	ONVIF Profile S			
Max. User Access	20 users			
Smart Phone	iPhone, iPad, Android, Windows Phone			
<b>Auxiliary Interface</b>				
Memory Slot	Micro SD, Max 64GB			
RS485	N/A			
Alarm	1/1 channel In/Out			
PIR Sensor Range	N/A			
<b>General</b>				
Power Supply	DC12V/AC24V, PoE(802.3af)			
Power Consumption	<3W	<5W	<3W	<5W
Working Environment	-20°C~+60°C, Less than 90%RH			
Ingress Protection	IP66			
Vandal Resistance	IK10			
Dimensions	Φ168mm×139.5mm			
Weight	1.18Kg			

### Dimensions (mm)




---

Dahua Technology Co., Ltd. 1187BinAn Road, Binjiang District, Hangzhou, China  
 Tel: 66956096-09126017817-09107616575  
 email:imensazaa@gmail.com  
 www.irandahua.com